



 Valvola a sfera filettata FF con filtro ad Y incorporato. Leva a farfalla rossa

 Ball valve FF with built-in Y strainer. Red butterfly handle

 Kugelhahn I/I integriert mit Schmutzfänger. Roter Flügelgriff

 Vanne à boisseau sphérique avec filtre Y intégré. Poignée papillon rouge

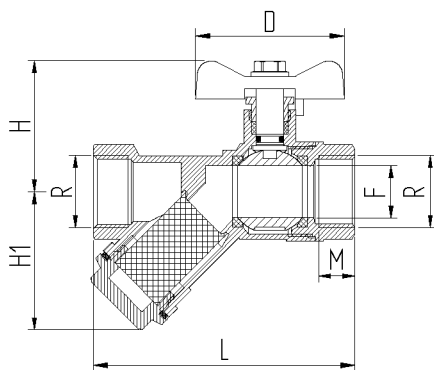
 Кран шаровой с встроенным Y-образным фильтром, резьбовые соединения В/В. Красная ручка-бабочка.



CARATTERISTICHE - FEATURES

- Corpo, manicotto e sfera, in ottone CW617N.
- Premistoppa e asta in ottone CW614N
- Sfera lavorata con utensile in diamante, cromata.
- Sedi in P.T.F.E. vergine.
- Guarnizione tenuta asta: O-ring in gomma NBR e anello in PTFE.
- Leva di comando in alluminio rossa.
- Filtro in acciaio INOX aisi 304
- Finitura superficiale sabbiata nichelata, filettature gialle
- Filettature ISO 228/1
- PN 20: TEMP. : -20°C ÷ 120°C
- *Brass CW617N body, bonnet and ball.*
- *Brass CW614N stuffing box and stem*
- *Ball ground by diamond-tipped tool, chromium plated.*
- *Virgin P.T.F.E. seats.*
- *Stem tightness :NBR rubber o-ring and PTFE ring.*
- *Red aluminium lever.*
- *Stainless steel aisi 304 basket strainer*
- *Nickel plated finishing with yellow threads.*
- *Threading to ISO 228/1.*
- *PN 20: TEMP. : -20°C ÷ 120°C*

DIMENSIONI PRINCIPALI - LEADING DIMENSIONS



R	1/2"	3/4"	1"
D	54	54	70
H	0	0	0
H1	0	0	0
L	76	90.5	103
M	11	12	14
F	15	20	25
Filtro µm	400	400	400

PRESSIONI DI ESERCIZIO A MAX 80°C - WORKING PREASSURES AT 80°C

PN 20	*	*	*				p.s.i. 300
	1/2"	3/4"	1"	1 1/4"	1 1/2"	2"	