





KIT TERMOARREDO IVR 777 CHR




 KIT TERMOARREDO composto da valvola termostattizzabile e detentore, cromati.
A squadra, attacco tubo rame, PEX e multistrato.

 KIT for design radiator with thermostatic valve and lockshield, chrome.
Angle, PEX, multilayer and copper pipe connection

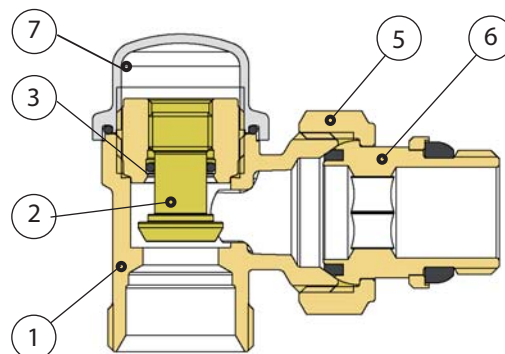
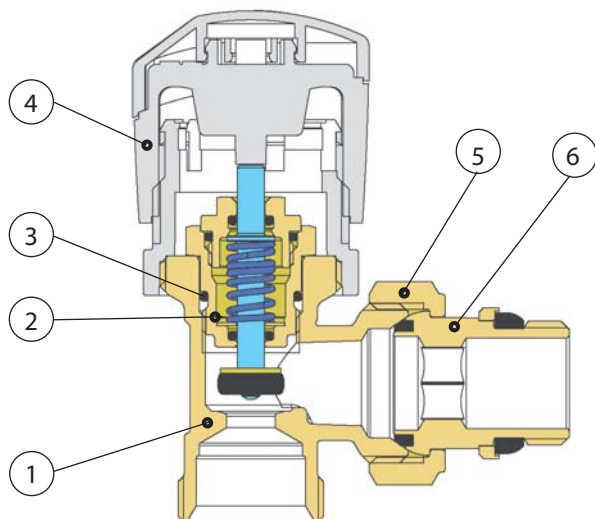
 DESIGNGARNITUR: Regulierventil (für Thermostat) und Rücklaufverschraubung,
verchromt.
Eckförmig, Anschluss für Kupfer, PEX und Mehrschichtrohr

 KIT pour radiateurs design composé de vanne thermostatizable et coude de réglage
cromés.
Équerre, fixation tube en cuivre, PEX et multicouche

 Комплект для дизайнерских радиаторов, состоящий из термостатического и
отсекающего клапанов, хромированный.
Угловой, соединение для медной, PEX и многослойной трубы



IVR 777 CHR

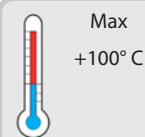


N	DENOMINAZIONE PART NAME	MATERIALE MATERIAL	TRATTAMENTO TREATMENT
1	Corpo - Body	Ottone - Brass CW 617N - UNI EN 12165/98	Cromato Chrome plated
2	Vitone - Bonnet		
3	O Ring	EPDM	
4	Volantino M30x1.5 Handle M30X1.5	ABS	Ral 9010
5	Calotta - Nut	Ottone - Brass CW 617N - UNI EN 12165/98	Cromato Chrome plated
6	Bocchettone - Tail piece	Ottone - Brass CW 617N - UNI EN 12165/98	Cromato Chrome plated
7	Cappuccio - Cap	ABS	Ral 9010

Dati tecnici - Technical data


Pressione massima di esercizio
Max. working pressure 10 bar
Pressione differenziale massima
Max. Differential pressure 1 bar
Max. glicole
Max. glycol 50 %


DN
1/2" 10 bar





KIT TERMOARREDO IVR 776 CHR




 KIT TERMOARREDO composto da valvola termostaticabile e detentore, cromati.
Dritto, attacco tubo rame, PEX e multistrato

 KIT for design radiator with thermostatic valve and lockshield, chrome.
Straight, PEX, multilayer and copper pipe connection.

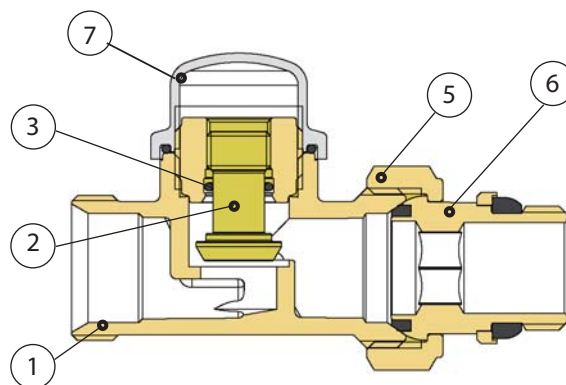
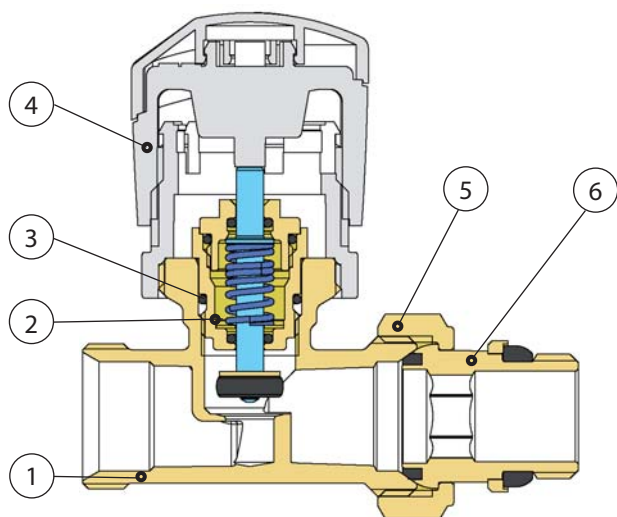
 DESIGNGARNITUR: Regulierventil (für Thermostat) und Rücklaufverschraubung, verchromt.
Gerade, Anschluss für Kupfer, PEX und Mehrschichtrohr.

 KIT pour radiateurs design composé de vanne thermostatizable et coude de réglage cromés.
Droit, fixation tube en cuivre, PEX et multicouche.

 Комплект для дизайнерских радиаторов, состоящий из термостатического и отсекающего клапанов, хромированный.
Прямой, соединение для медной, PEX и многослойной трубы.



IVR 776 CHR

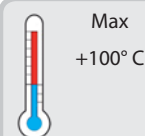


N	DENOMINAZIONE PART NAME	MATERIALE MATERIAL	TRATTAMENTO TREATMENT
1	Corpo - Body	Ottone - Brass CW 617N - UNI EN 12165/98	Cromato Crome plated
2	Vitone - Bonnet		
3	O Ring	EPDM	
4	Volantino M30x1.5 Handle M30X1.5	ABS	Ral 9010
5	Calotta - Nut	Ottone - Brass CW 617N - UNI EN 12165/98	Cromato Crome plated
6	Bocchettone - Tail piece	Ottone - Brass CW 617N - UNI EN 12165/98	Cromato Crome plated
7	Cappuccio - Cap	ABS	Ral 9010

Dati tecnici - Technical data


Pressione massima di esercizio Max. working pressure	10 bar
Pressione differenziale massima Max. Differential pressure	1 bar
Max. glicole Max. glycol	50 %


DN
1/2" 10 bar





KIT TERMOARREDO IVR 774 CHR




 KIT TERMOARREDO composto da valvola termostattabile e detentore, cromati.
A squadra, attacco tubo ferro

 KIT for design radiator with thermostatic valve and lockshield, chrome.
Angle, iron pipe connection

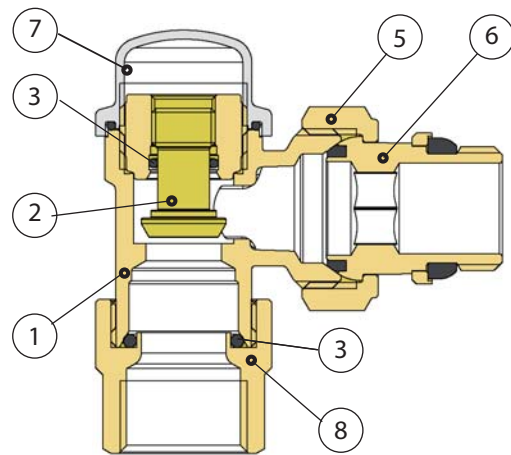
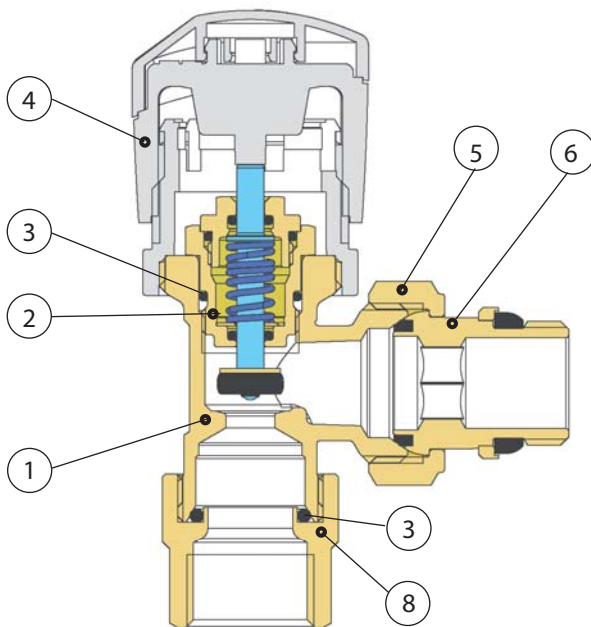
 DESINGGARNITUR: Regulierventil (für Thermostat) und Rücklaufverschraubung,
verchromt.
Eckförmig, Anschluss für Eisenrohr

 KIT pour radiateurs design composé de vanne thermostatizable et coude de réglage
cromés.
Équerre, fixation tube en cuivre

 Комплект для дизайнерских радиаторов, состоящий из термостатического и
отсекающего клапанов, хромированный.
Угловой, соединение для стальной трубы



IVR 774 CHR

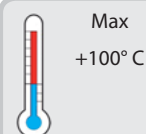


N	DENOMINAZIONE PART NAME	MATERIALE MATERIAL	TRATTAMENTO TREATMENT
1	Corpo - Body	Ottone - Brass CW 617N - UNI EN 12165/98	Cromato Crome plated
2	Vitone - Bonnet		
3	O Ring	EPDM	
4	Volantino M30x1.5 Handle M30X1.5	ABS	Ral 9010
5	Calotta - Nut	Ottone - Brass CW 617N - UNI EN 12165/98	Cromato Crome plated
6	Bocchettone - Tail piece	Ottone - Brass CW 617N - UNI EN 12165/98	Cromato Crome plated
7	Cappuccio - Cap	ABS	Ral 9010
8	Raccordo - Joint	Ottone - Brass CW 614N - UNI EN 12164/98	Cromato Crome plated

Dati tecnici - Technical data

Pressione massima di esercizio Max. working pressure	10 bar
Pressione differenziale massima Max. Differential pressure	1 bar
Max. glicole Max. glycol	50 %


DN
1/2" 10 bar





KIT TERMOARREDO IVR 773 CHR




 KIT TERMOARREDO composto da valvola termostaticabile e detentore, cromati.
Dritto, attacco tubo ferro.

 KIT for design radiator with thermostatic valve and lockshield, chrome.
Straight, iron pipe connection.

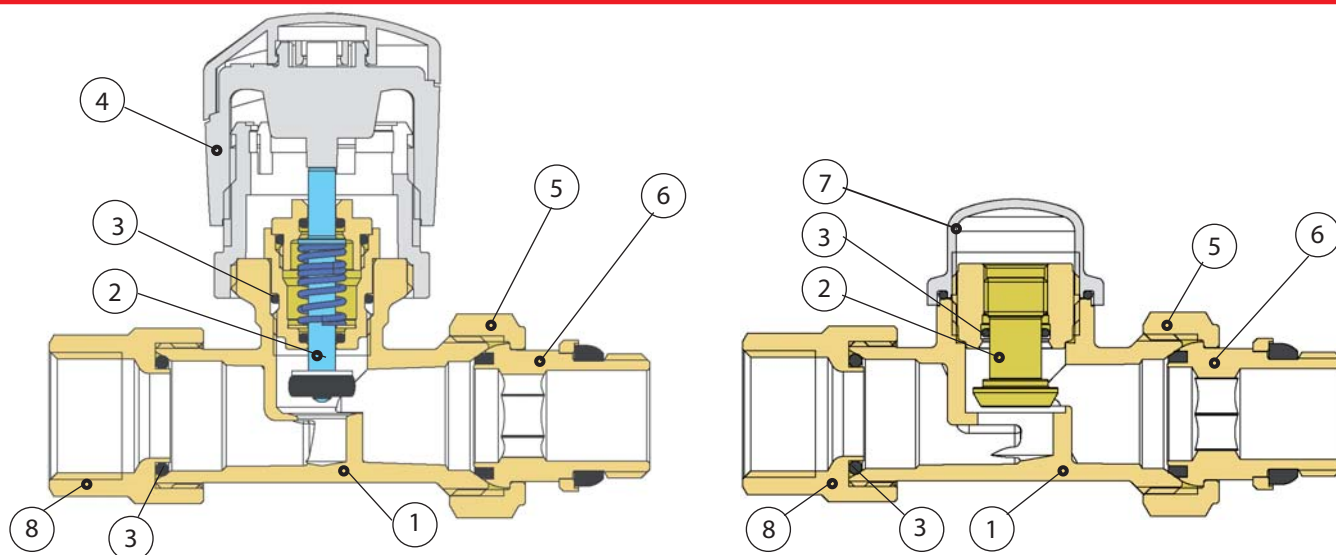
 DESIGNGARNITUR: Regulierventil (für Thermostat) und Rücklaufverschraubung, verchromt.
Gerade Verschraubung, Anschluss für Eisenrohr.

 KIT pour radiateurs design composé de vanne thermostatizable et coude de réglage cromés.
Droit, fixation tube fer.

 Комплект для дизайнерских радиаторов, состоящий из термостатического и отсекающего клапанов, хромированный.
Прямой, соединение для стальной трубы.



IVR 773 CHR

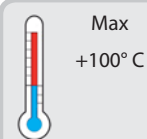


N	DENOMINAZIONE PART NAME	MATERIALE MATERIAL	TRATTAMENTO TREATMENT
1	Corpo - Body	Ottone - Brass CW 617N - UNI EN 12165/98	Cromato Crome plated
2	Vitone - Bonnet		
3	O Ring	EPDM	
4	Volantino M30x1.5 Handle M30X1.5	ABS	Ral 9010
5	Calotta - Nut	Ottone - Brass CW 617N - UNI EN 12165/98	Cromato Crome plated
6	Bocchettone - Tail piece	Ottone - Brass CW 617N - UNI EN 12165/98	Cromato Crome plated
7	Cappuccio - Cap	ABS	Ral 9010
8	Raccordo - Joint	Ottone - Brass CW 614N - UNI EN 12164/98	Cromato Crome plated

Dati tecnici - Technical data

Pressione massima di esercizio Max. working pressure	10 bar
Pressione differenziale massima Max. Differential pressure	1 bar
Max. glicole Max. glycol	50 %

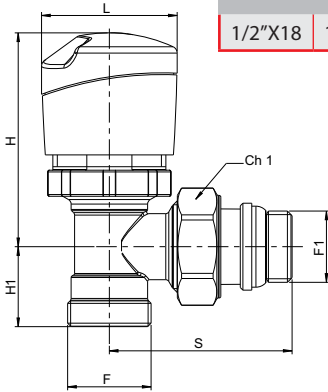
DN
1/2" 10 bar



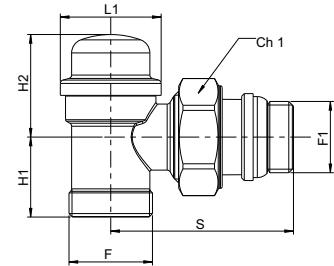
Valvole per radiatori THERMOCHROME



Size	Code	F	F1	S	H	H1	H2	L	L1	Ch1
1/2"X18	177705185	24-19	1/2"	52	61	23	29	39	29	30

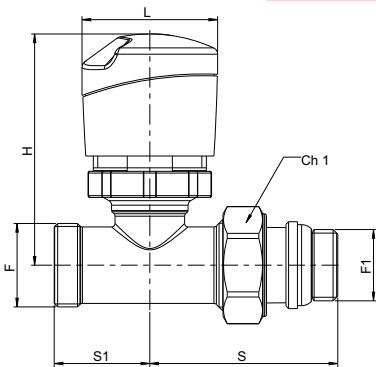


IVR 777 CHR

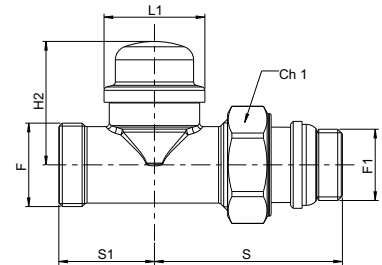


DIMENSIONI - DIMENSIONS (mm)

Size	Code	F	F1	S	S1	H	H2	L	L1	Ch1
1/2"X18	177605185	24-19	1/2"	54	28	67	36	39	29	30

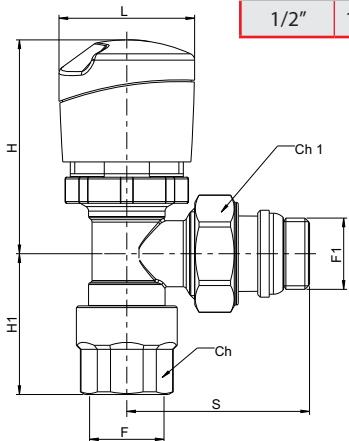


IVR 776 CHR

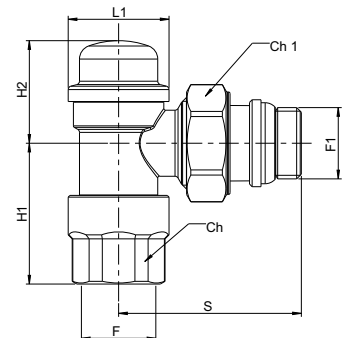


DIMENSIONI - DIMENSIONS (mm)

Size	Code	F	F1	S	H	H1	H2	L	L1	Ch	Ch1
1/2"	177405005	1/2"	1/2"	52	61	41	29	39	29	25	30

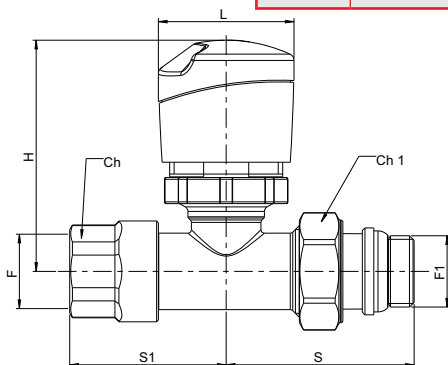


IVR 774 CHR

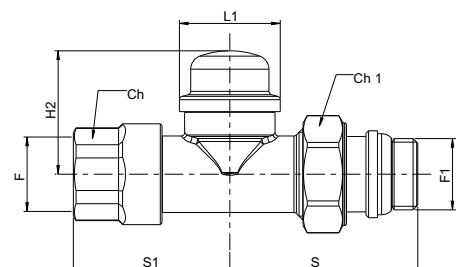


DIMENSIONI - DIMENSIONS (mm)

Size	Code	F	F1	S	S1	H	H2	L	L1	Ch	Ch1
1/2"	177305005	1/2"	1/2"	54	45	67	36	39	29	25	30



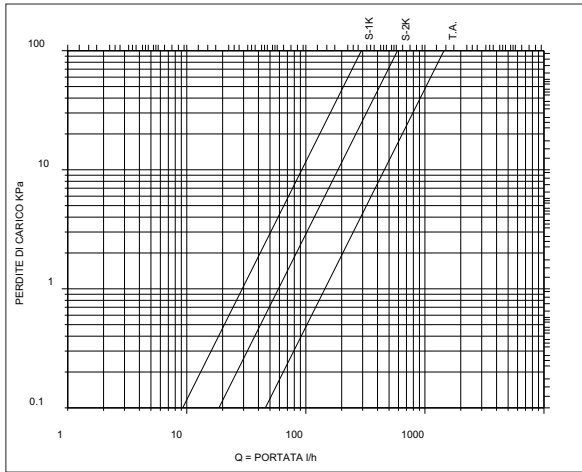
IVR 773 CHR



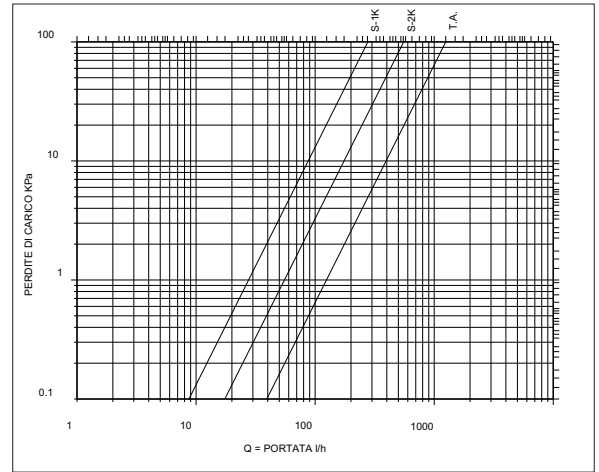
DIMENSIONI - DIMENSIONS (mm)

DIAGRAMMA PERDITE DI CARICO - *FLOW AND PRESSURE DROP*

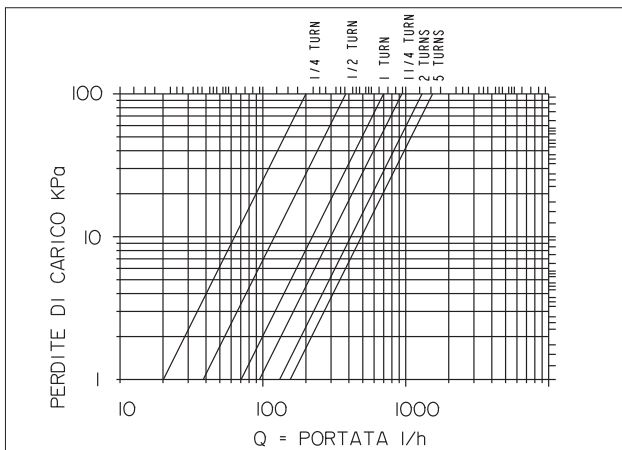
IVR 777 - IVR 774 QmN 185
Valvola



IVR 776 - IVR 773 QmN 175
Valvola



IVR 777 - IVR 774
Detentore



IVR 776 - IVR 773
Detentore

