

# JUPITER Detentori per radiatori

## IVR 555 - 557



Detentore, attacco PEX, multistrato e tubo rame, bocchettone autotenuta, nichelato. Impieghi: I detentori IVR 551-553 sono adatti per l'utilizzo su ogni tipo di radiatore.

Heavy lockshield, PEX, multilayer and copper pipe connection, auto-seal tail piece, nickel plated. Application: Valves IVR 551-553 are suitable for use with any model of radiator.

Rücklaufverschraubung PEX, Mehrschicht- und Kupferrohr-Anschluss, selbstdichtender Stutzen, vernickelt. Anwendungen: Die Ventile IVR 551-553 passen sich für den Einsatz auf jedem Heizkörpertyp an.

Détenteur, fixation PEX, multicouche et tube en cuivre, raccord autoétanche, nickelé. Application: Les robinets IVR 551-553 sont conseillés pour l'utilisation sur chaque type de radiateur.

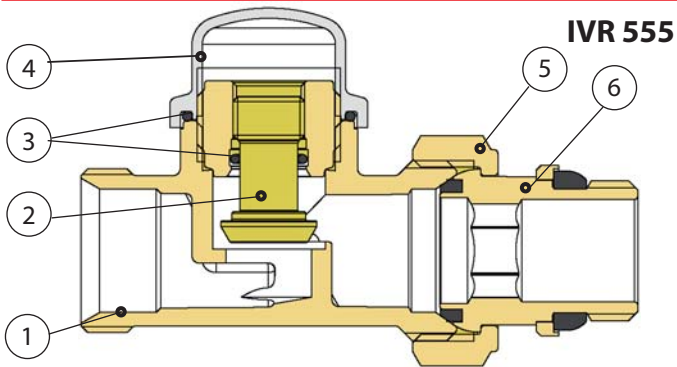
Усиленный отсекающий клапан; соединения для трубы PEX, медной и многослойной труб, патрубков с самогерметизацией, никелированный.



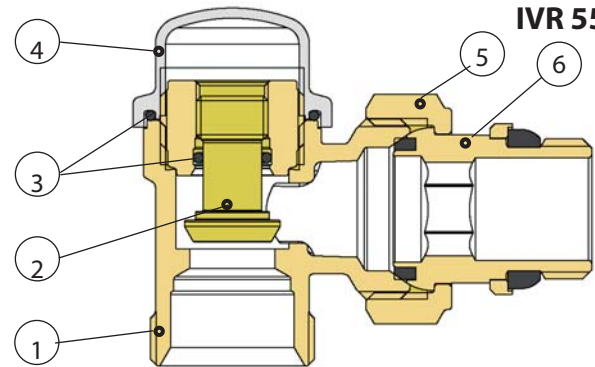
IVR 555



IVR 557



IVR 555



IVR 557

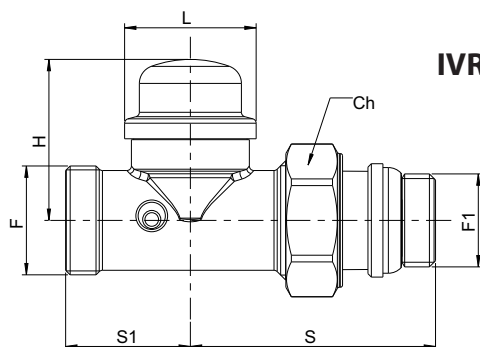
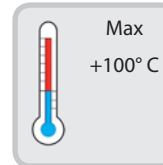
N	DENOMINAZIONE PART NAME	MATERIALE MATERIAL	TRATTAMENTO TREATMENT
1	Corpo - Body	Ottone - Brass CW 617N - UNI EN 12165/98	Nichelato Nickel plated
2	Vitone - Bonnet		
3	O Ring	EPDM	
4	Cappuccio - Cap	ABS	Ral 9010
5	Calotta - Nut	Ottone - Brass CW 617N - UNI EN 12165/98	Nichelato Nickel plated
6	Bocchettone - Tail piece	Ottone - Brass CW 617N - UNI EN 12165/98	Nichelato Nickel plated

### Dati tecnici - Technical data

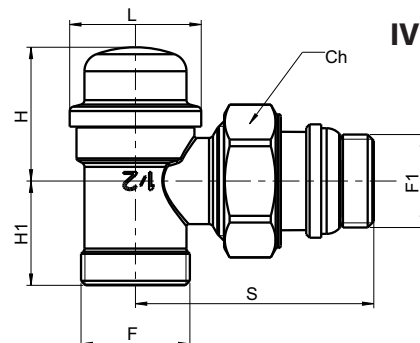
Pressione massima di esercizio  
Max. working pressure 10 bar

Max. glicole  
Max. glycol 50 %

DN	Max
3/8"	10 bar
1/2"	10 bar
3/4"	10 bar



IVR 555



IVR 557

### DIMENSIONI - DIMENSIONS (mm)

Size	Code	F	F1 UNI ISO R7/1	S	S1	H	L	Ch1
3/8" x 18	155503180	24-19	3/8"	49	25	31	26	25
1/2" x 18	155505180	24-19	1/2"	54	28	35	29	30
3/8" x 16	155503160	G1/2"	3/8"	49	25	31	26	25
1/2" x 16	155503160	G1/2"	3/8"	54	28	35	26	25

Size	Code	F	F1 UNI ISO R7/1	S	H	H1	L	Ch1
3/8" x 18	155703180	24-19	3/8"	48	26	20	26	25
1/2" x 18	155705180	24-19	1/2"	53	30	29	29	30
3/8" x 16	155703160	24-19	3/8"	48	26	20	26	25
1/2" x 16	155705160	24-19	1/2"	53	30	29	29	30

Tutte le caratteristiche tecniche dei prodotti sono soggette a modifiche senza preavviso - All product's technical specifications are subject to modification without prior notice

IVR S.p.A. - Via Brughiera III, 1 - Loc. Piano Rosa - 28010 Boca (NO) Italy - Phone: +39.0322.888811 - Fax: +39.0322.888892-93 - Email: vendite@ivrvalvole.it - Website: www.ivrvalvole.it

# JUPITER Detentori per radiatori

## IVR 555/2 - 557/2



Detentore, attacco PEX, multistrato e tubo rame, bocchettone senza autotenuta, nichelato.  
Impieghi: I detentori IVR 555/2-557/2 sono adatti per l'utilizzo su ogni tipo di radiatore.

Heavy lockshield, PEX, multilayer and copper pipe connection, without auto-seal tail piece, nickel plated.  
Application: Valves IVR 555/2-557/2 are suitable for use with any model of radiator.

Rücklaufverschraubung PEX, Mehrschicht - und Kupferrohr-Anschluss, selbstdichtender Stutzen, vernickelt.  
Anwendungen: Die Ventilen IVR 555/2-557/2 passen sich für den Einsatz auf jedem Heizkörpertyp an.

Détenteur, fixation PEX, multicouche et tube en cuivre, raccord non autoétanche, nickelé.  
Application: Les robinets IVR 555/2-557/2 sont conseillés pour l'utilisation sur chaque type de radiateur.

запорный клапан усиленный, атака стальных без труб сосков амоуплотнением, никелированный.  
Сфера применения: вентили IVR 555/2-557/2 могут применяться с любым типом радиаторов.

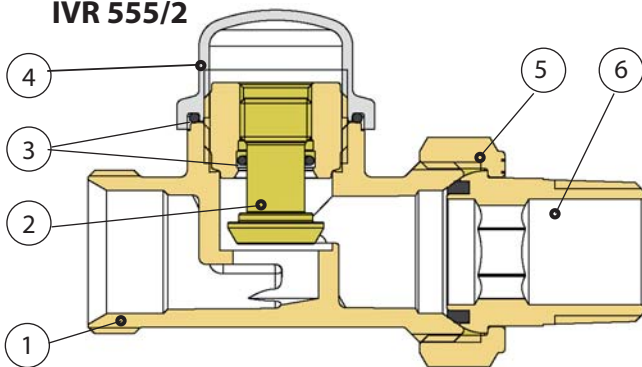


IVR 555/2

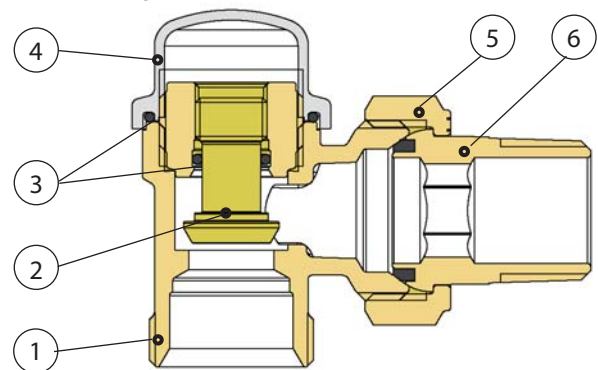


IVR 557/2

IVR 555/2



IVR 557/2



N	DENOMINAZIONE PART NAME	MATERIALE MATERIAL	TRATTAMENTO TREATMENT
1	Corpo - Body	Ottone - Brass CW 617N - UNI EN 12165/98	Nichelato Nickel plated
2	Vitone - Bonnet		
3	O Ring	EPDM	
4	Cappuccio - Cap	ABS	Ra1 9010
5	Calotta - Nut	Ottone - Brass CW 617N - UNI EN 12165/98	Nichelato Nickel plated
6	Bocchettone - Tail piece	Ottone - Brass CW 617N - UNI EN 12165/98	Nichelato Nickel plated

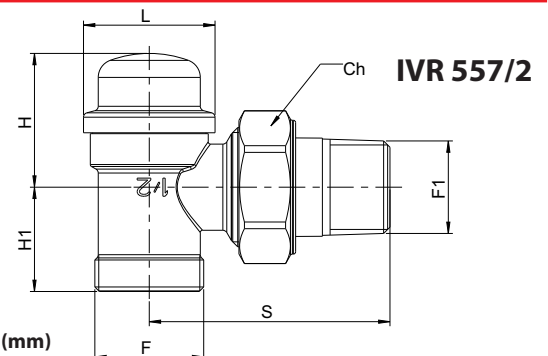
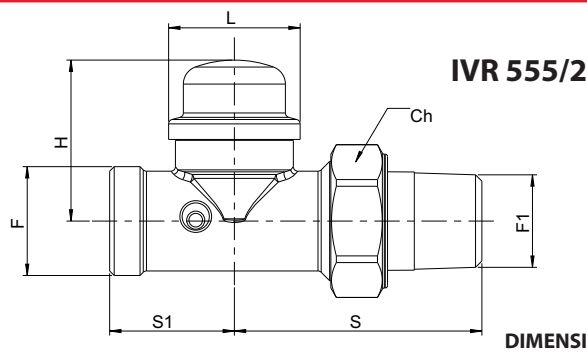
Dati tecnici - Technical data

Pressione massima di esercizio  
Max. working pressure 10 bar  
Max. glicole  
Max. glycol 50 %

DN	
3/8"	10 bar
1/2"	10 bar
3/4"	10 bar

	Max +100° C
--	----------------

	UNI ISO 228/1
--	---------------

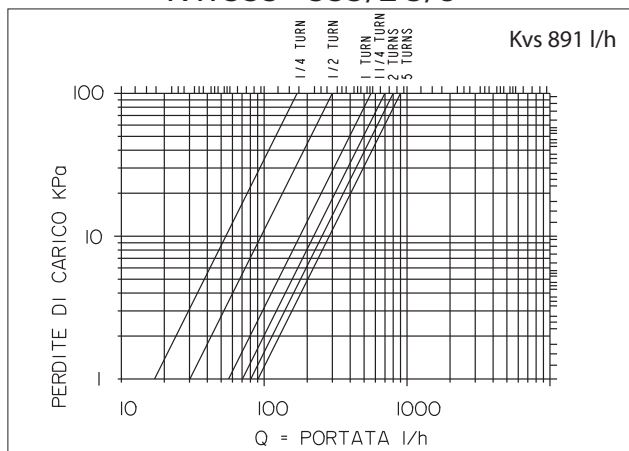


Size	Code	F	F1 UNI ISO R7/1	S	S1	H	L	Ch1
3/8" x 18	155503182	24-19	3/8"	49	25	31	26	25
1/2" x 18	155505182	24-19	1/2"	54	28	35	29	30
3/8" x 16	155503162	G1/2"	3/8"	49	25	31	26	25
1/2" x 16	155503162	G1/2"	3/8"	54	28	35	29	25

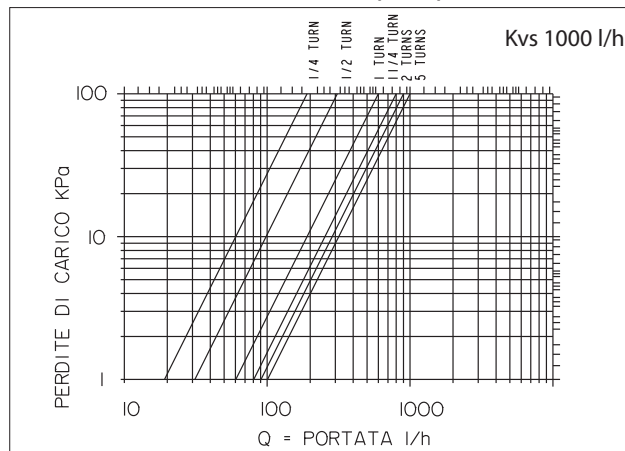
Size	Code	F	F1 UNI ISO R7/1	S	H	H1	L	Ch1
3/8" x 18	155703162	24-19	3/8"	48	26	20	26	25
1/2" x 18	155705162	24-19	1/2"	53	30	29	29	30
3/8" x 16	155703162	24-19	3/8"	48	26	20	26	25
1/2" x 16	155705162	24-19	1/2"	53	30	29	29	30

DIAGRAMMA PERDITE DI CARICO - *FLOW AND PRESSURE DROP*

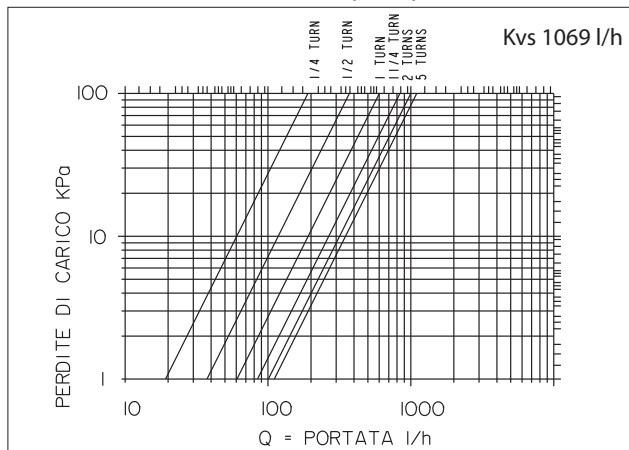
**IVR 555 - 555/2 3/8"**



**IVR 557 - 557/2 3/8"**



**IVR 555 - 555/2 1/2"**



**IVR 557 - 557/2 1/2"**

