

# JUPITER Detentori per radiatori

## IVR 551 - 553



- Detentore per valvole Saturn, attacco tubo ferro, bocchettone con autotenuta, nichelato.  
Impieghi: I detentori IVR 551-553 sono adatti per l'utilizzo su ogni tipo di radiatore.
- Heavy lockshield, for Saturn valves, iron pipe connection, with auto-seal tail piece, nickel plated.  
Application: Valves IVR 551-553 are suitable for use with any model of radiator.
- Rücklaufverschraubung für Saturn - Ventile, Stutzen mit Selbstdichtung, vernickelt.  
Anwendungen: Die Ventilen IVR 551 -553 passen sich für den Einsatz auf jedem Heizkörpertyp an.
- Détenteur pour vanne Saturn, fixation tube fer, raccord autoétanche, nickelée.  
Application: Les robinets IVR 551 -553 sont conseillés pour l'utilisation sur chaque type de radiateur.
- Усиленный отсекающий клапан, соединение для стальной трубы, патрубков с самогерметизации, никелированный.  
Сфера применения: вентили IVR 551 -553 могут применяться с любым типом радиаторов.

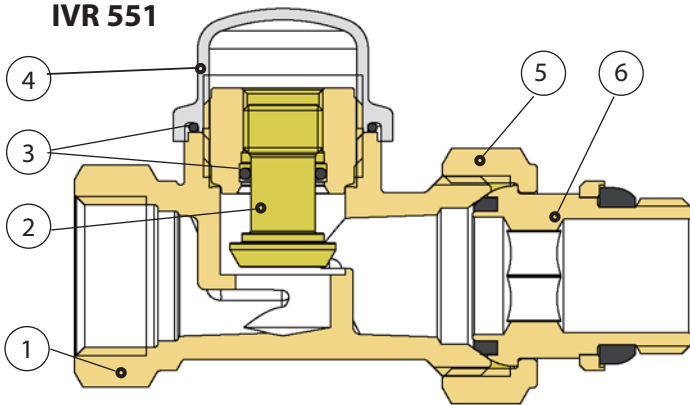


IVR 551

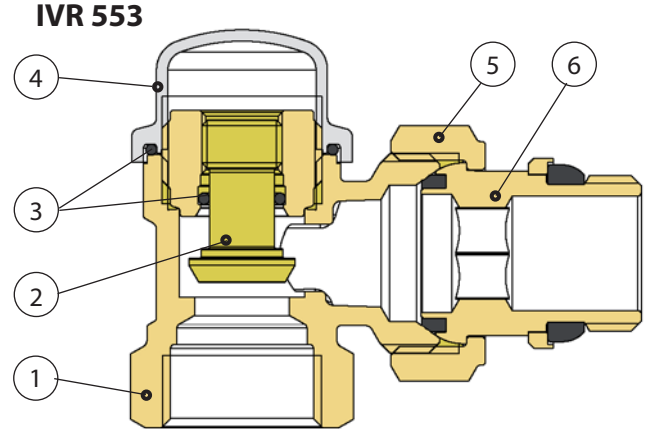


IVR 553

IVR 551



IVR 553



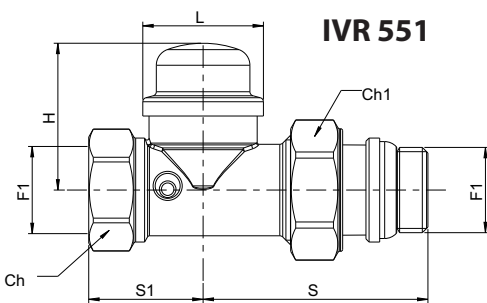
N	DENOMINAZIONE PART NAME	MATERIALE MATERIAL	TRATTAMENTO TREATMENT
1	Corpo - Body	Ottone - Brass CW 617N - UNI EN 12165/98	Nichelato Nickel plated
2	Vitone - Bonnet		
3	O Ring	EPDM	
4	Cappuccio - Cap	ABS	Ral 9010
5	Calotta - Nut	Ottone - Brass CW 617N - UNI EN 12165/98	Nichelato Nickel plated
6	Bocchettone - Tail piece	Ottone - Brass CW 617N - UNI EN 12165/98	Nichelato Nickel plated

Dati tecnici - Technical data	
Pressione massima di esercizio Max. working pressure	10 bar
Max. glicole Max. glycol	50 %

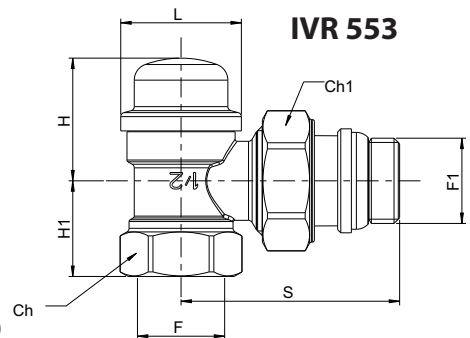
DN	Max
3/8"	10 bar
1/2"	10 bar
3/4"	10 bar

Max
+100° C

UNI ISO 228/1
---------------



IVR 551



IVR 553

DIMENSIONI - DIMENSIONS (mm)

Size	Code	F UNI ISO 228/1	F1 UNI ISO 228/1	S	S1	H	L	Ch	Ch1
3/8"	155103000	3/8"	3/8"	49	25	31	26	22	25
1/2"	155105000	1/2"	1/2"	54	28	35	26	26	30
3/4"	155107000	3/4"	3/4"	63	33	37	29	32	37

Size	Code	F UNI ISO 228/1	F1 UNI ISO 228/1	S	H	H1	L	Ch	Ch1
3/8"	155303000	3/8"	3/8"	50	26	20	26	22	25
1/2"	155305000	1/2"	1/2"	53	29	23	26	26	30
3/4"	155307000	3/4"	3/4"	60	39	26	29	32	37


Tutte le caratteristiche tecniche dei prodotti sono soggette a modifiche senza preavviso - All product's technical specifications are subject to modification without prior notice


IVR S.p.A. - Via Brughiera III, 1 - Loc. Piano Rosa - 28010 Boca (NO) Italy - Phone: +39.0322.888811 - Fax: +39.0322.888892-93 - Email: vendite@ivrvalvole.it - Website: www.ivrvalvole.it

# JUPITER Detentori per radiatori


## IVR 551/2 - 553/2




 Detentore per valvole Saturn, attacco tubo ferro, bocchettone senza autotenuta, nichelato.  
Impieghi: I detentori IVR 551-553 sono adatti per l'utilizzo su ogni tipo di radiatore.

 Heavy lockshield, for Saturn valves, iron pipe connection, without auto-seal tail piece, nickel plated.  
Application: Valves IVR 551-553 are suitable for use with any model of radiator.

 Rücklaufverschraubung für Saturn - Ventile, Stutzen ohne Selbstdichtung, vernickelt.  
Anwendungen: Die Ventilen IVR 551 -553 passen sich für den Einsatz auf jedem Heizkörpertyp an.

 Détenteur pour vanne Saturn, fixation tube fer, raccord non autoétanche, nickelée.  
Application: Les robinets IVR 551 -553 sont conseillés pour l'utilisation sur chaque type de radiateur.

 запорный клапан усиленный, атака стальных без труб сосков амоуплотнением, никелированный.  
Сфера применения: вентили IVR 551 -553 могут применяться с любым типом радиаторов.

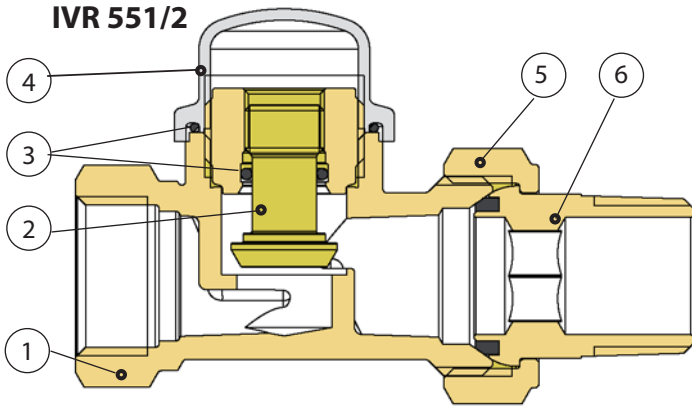


IVR 551/2

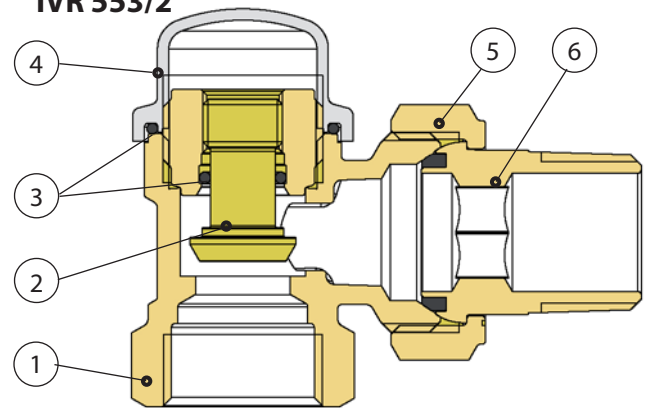


IVR 553/2

IVR 551/2



IVR 553/2



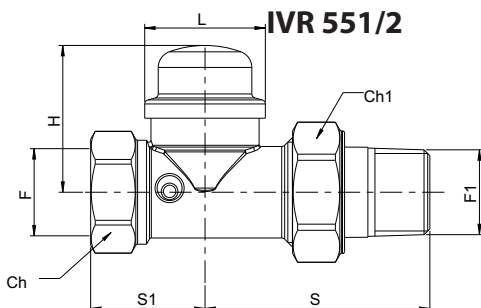
N	DENOMINAZIONE PART NAME	MATERIALE MATERIAL	TRATTAMENTO TREATMENT
1	Corpo - Body	Ottone - Brass CW 617N - UNI EN 12165/98	Nichelato Nickel plated
2	Vitone - Bonnet		
3	O Ring	EPDM	
4	Cappuccio - Cap	ABS	Ral 9010
5	Calotta - Nut	Ottone - Brass CW 617N - UNI EN 12165/98	Nichelato Nickel plated
6	Bocchettone - Tail piece	Ottone - Brass CW 617N - UNI EN 12165/98	Nichelato Nickel plated

Dati tecnici - Technical data	
Pressione massima di esercizio Max. working pressure	10 bar
Max. glicole Max. glycol	50 %

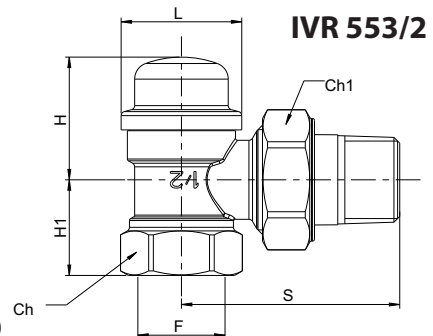
DN	Max
3/8"	10 bar
1/2"	10 bar
3/4"	10 bar

Max
+100° C

UNI ISO 228/1 UNI ISO R7/1
-------------------------------



DIMENSIONI - DIMENSIONS (mm)



Size	Code	F UNI ISO 228/1	F1 UNI ISO R7/1	S	S1	H	L	Ch	Ch1
3/8"	155103002	3/8"	3/8"	49	25	31	26	22	25
1/2"	155105002	1/2"	1/2"	54	28	35	26	26	30
3/4"	155107002	3/4"	3/4"	63	33	37	29	32	37


Size	Code	F UNI ISO 228/1	F1 UNI ISO R7/1	S	H	H1	L	Ch	Ch1
3/8"	155303002	3/8"	3/8"	50	26	20	26	22	25
1/2"	155305002	1/2"	1/2"	53	29	23	26	26	30
3/4"	155307002	3/4"	3/4"	60	39	26	29	32	37


Tutte le caratteristiche tecniche dei prodotti sono soggette a modifiche senza preavviso - All product's technical specifications are subject to modification without prior notice


IVR S.p.A. - Via Brughiera III, 1 - Loc. Piano Rosa - 28010 Boca (NO) Italy - Phone: +39.0322.888811 - Fax: +39.0322.888892-93 - Email: vendite@ivrvalvole.it - Website: www.ivrvalvole.it

# IVR 551/C




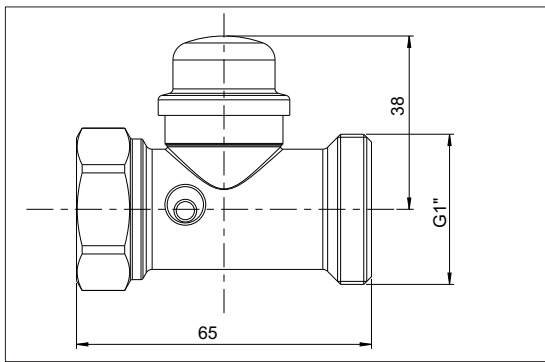
 Detentore dritto, attacco tubo ferro, senza bocchettone, nichelato. Per IVR-INOX

 Straight heavy lockshield, iron pipe connection, without tail piece, nickel plated. For IVR-INOX

 Jupiter gerade Rücklaufverschraubung für Eisenrohr, ohne Stutzen, vernickelt. Für IVR-INOX

 Coude droit, fixation tube fer, raccord autoétanche, nickelé. Pour IVR-INOX

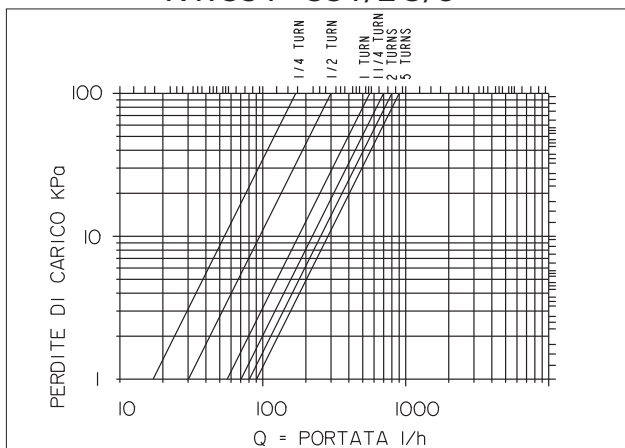
 Прямой усиленный отсекающий клапан, соединение для стальной трубы, без муфты. Для IVR-INOX



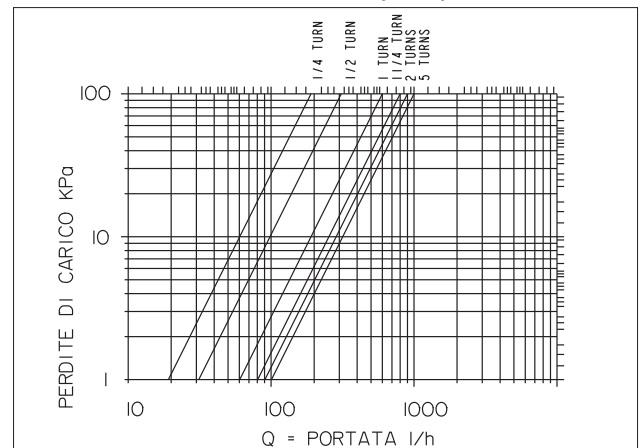
Size	Code
3/4"	155107010

## DIAGRAMMA PERDITE DI CARICO - FLOW AND PRESSURE DROP

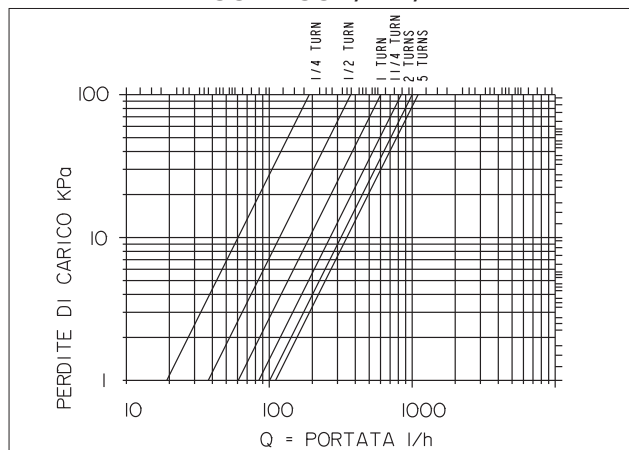
IVR 551 - 551/2 3/8"



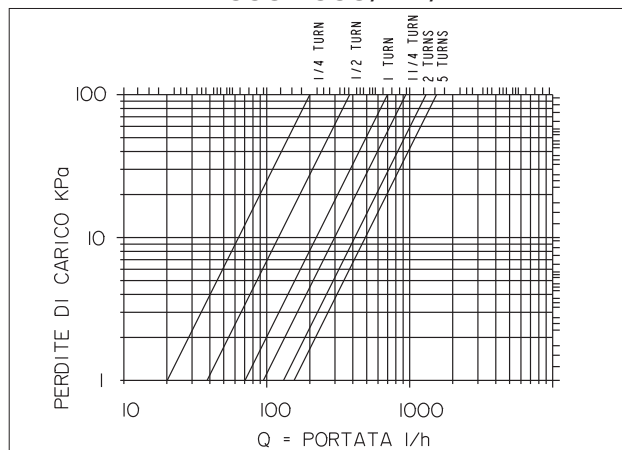
IVR 553 - 553/2 3/8"



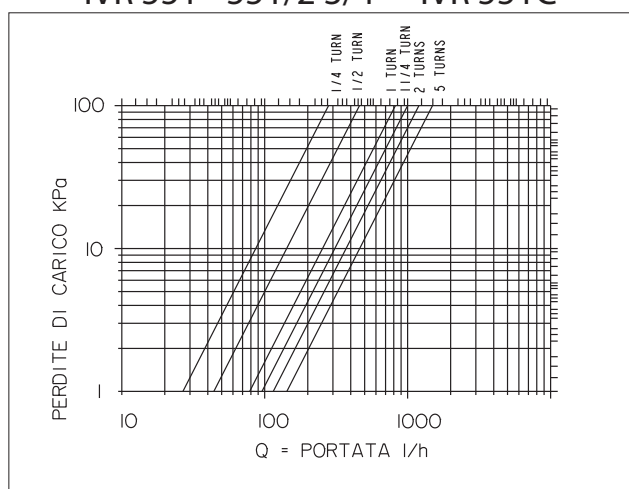
IVR 551 - 551/2 1/2"



IVR 553 - 553/2 1/2"



IVR 551 - 551/2 3/4" - IVR 551C



IVR 553 - 553/2 3/4"

