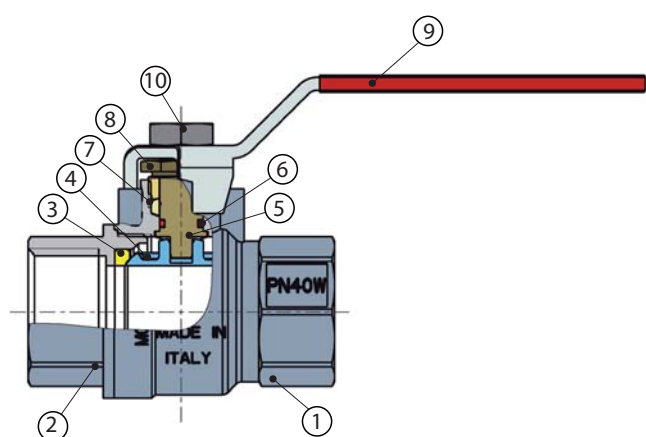


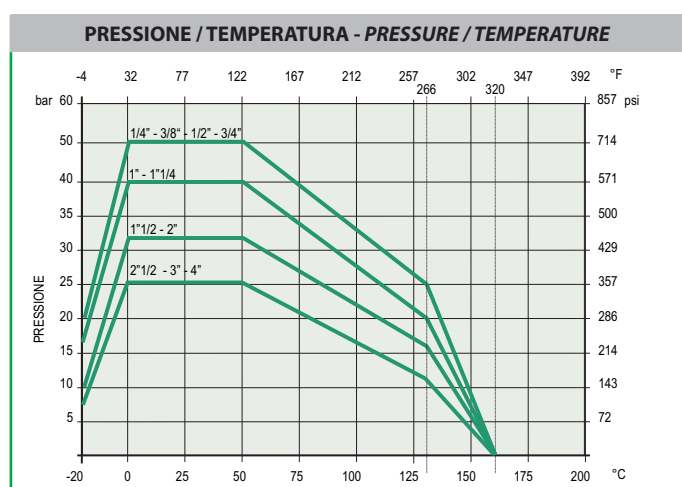
EXPORT - IVR 45 - IVR 46 - IVR 47 - IVR 52

- Valvola a sfera a passaggio totale. Attacchi filettati F/F (IVR 45) - M/F (IVR 46) - M/M (IVR 47) - F/F (IVR 52). Impieghi: fluidi pericolosi del gruppo 1 (non gassosi)- secondo direttiva PED 2014/68/UE-, installazioni idrotermiche, aria compressa.
- Full bore ball valve. F/F (IVR 45) - M/F (IVR 46) - M/M (IVR 47) - F/F (IVR 52) thread ends. Applications: Class 1 dangerous liquids (non-gaseous) – according to the PED Directive 2014/68/EU - , hydrothermal systems, pressed air.
- Kugelhahn mit vollem Durchgang - Anschlüsse mit I/I (IVR 45) - A/I (IVR 46) - A/A (IVR 47) - I/I (IVR 52). Anwendungen: gefährliche Fluide Kategorie 1 (nicht gasförmig) – nach der PED-Richtlinie 2014/68/EU - , Hydraulikanlagen, Druckluft.
- Vanne à sphère à passage intégral. Taraudage F/F (IVR 45) - M/F (IVR 46) - MM (IVR 47) - F/F (IVR 52). Applications: liquides dangereux Classe 1 (non-gazeux) – selon la Directive PED 2014/68/EU - , systèmes hydrauliques, air comprimée.
- Полнопроходной шаровой кран. Резьбовые соединения В/В (IVR 45) - Н/В (IVR 46) - Н/Н (IVR 47) - В/В (IVR 52). Сфера применения: опасные жидкости группы 1 (не газообразные) - в соответствии с директивой PED 2014/68/EU, гидротермальные системы, сжатый воздух.



N	DENOMINAZIONE PART NAME	MATERIALE MATERIAL	TRATTAMENTO TREATMENT
1	Corpo - Body	Ottone - Brass CW 617N - UNI EN 12165/98	Nichelato - Nickel plated
2	Manicotto Body end	Ottone - Brass CW 617N - UNI EN 12165/98	Nichelato - Nickel plated
3	Seggio - Seat	PTFE	
4	Sfera - Ball	Ottone - Brass CW 617N - UNI EN 12165/98	Cromata - Chrome plated
4*	Sfera - Ball	AISI 304	
5	Asta - Stem	Ottone - Brass CW 614N - UNI EN 12164/98	
6	O-Ring - O-Ring	FKM	
7	Rondella - Seal	PTFE	
8	Premistoppa Packing nut	Ottone - Brass CW 614N - UNI EN 12164/98	
9	Maniglia - Handle	Acciaio - Steel	Rivest. PVC - Plastic coated
10	Dado - Nut	Acciaio - Steel	Zincato - Zinc plated

*IVR 52 - come IVR 45 ma con sfera in acciaio INOX AISI 304.
 *IVR 52 - like IVR 45 but with steel AISI 304 ball.
 *IVR 52 - такой же, как IVR 45, но с шаром из нержавеющей стали AISI 304



Size

1/4" - 3/4" 50 bar

1" - 1 1/4" 40 bar

1 1/2" - 2" 32 bar

2 1/2" - 4" 25 bar

Max +160° C

Min -20° C

ISO 228-1

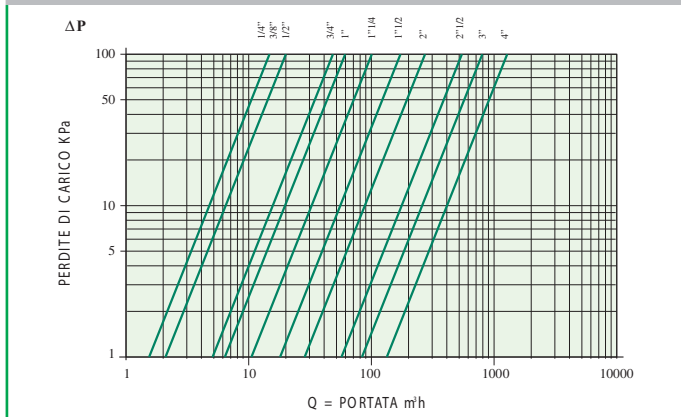
Asta anticoppio
Anti blow-out stem



Secondo direttiva PED 2014/68/UE-, dal 1/4" al 2" 20 bar; dal 2 1/2 al 4" 10 bar
 According to the PED Directive 2014/68/EU, from 1/4" to 2" 20 bar; from 2 1/2 to 4" 10 bar
 Nach der PED-Richtlinie 2014/68/EU, von 1/4" bis 2" 20 Bar; von 2 1/2 bis 4" 10 Bar
 Selon la Directive PED 2014/68/EU, de 1/4" à 2" 20 bar; de 2 1/2 à 4" 10 bar.
 Согласно директиве PED 2014/68/EU - от 1/4" до 2" - 20 бар, от 2 1/2 до 4" - 10 бар.

Tutte le caratteristiche tecniche dei prodotti sono soggette a modifiche senza preavviso - All product's technical specifications are subject to modification without prior notice

PERDITE DI CARICO - FLOW AND PRESSURE DROPS



Misura - Size KV

Misura - Size	KV
1/4" - 10	15
3/8" - 10	15
1/2" - 15	20
3/4" - 20	45
1" - 25	60
1" 1/4 - 32	100
1" 1/2 - 40	170
2" - 50	265
2" 1/2 - 60	510
3" - 74	790
4" - 94	1230

DIMENSIONI - DIMENSIONS (mm)

Size	Ø	F	F1	S	S1	S2	H	HI	H2	H3	L	L1	L2	L3	CH	CH1
1/4"	10	12	10	45	42	52	40	33	43	44	80	50	95	85	21	21
3/8"	10	12	12	45	54	54	40	33	44	44	80	50	95	85	21	21
1/2"	15	17	15	63	70	68	52	39	56	52	90	61	120	110	26	26
3/4"	20	19.5	16	71	80	77	55	43	60	55	90	61	120	110	31	31
1"	25	21	19	83	92	92	64	52	68	67	125	72	150	130	38	38
1" 1/4	32	22	20.5	92	102		69	57	73	72	125		150	130	48	48
1" 1/2	40	23.5	21.5	104	117		78		87	88	140		160	160	55	55
2"	50	28	24.5	124	137		85		94	95	140		160	160	68	68
2" 1/2	60	28		140			131				250				85	
3"	74	30.5		159			140				250				99	
4"	94	38		196			154				250				125	

